

PPN Packaged Plate Instantaneous

Packaged Plate Heat Exchangers for DHW Systems



CERTIFICATION MARK

The Adveco PPN is a range of packaged plate heat exchanger systems from 100 to 600 kW designed to provide an instantaneous supply of domestic hot water to a building.

Supplied pre-assembled on a metal skid base, the Adveco PPN comprises of a high-quality gasketed stainless steel plate heat exchanger plus integrated pumps, controls, valves, pipework, and fittings.

A 24 Volt controls system includes a digital LED display to show system temperature and set point, temperature controllers, volt-free contacts for BMS input and output signals, and a twin-pump changeover timer for applicable systems.

The Adveco PPN range is WRAS approved and is suitable for use with systems up to 99°C and 6-10 bar working pressure.

STANDARD FEATURES

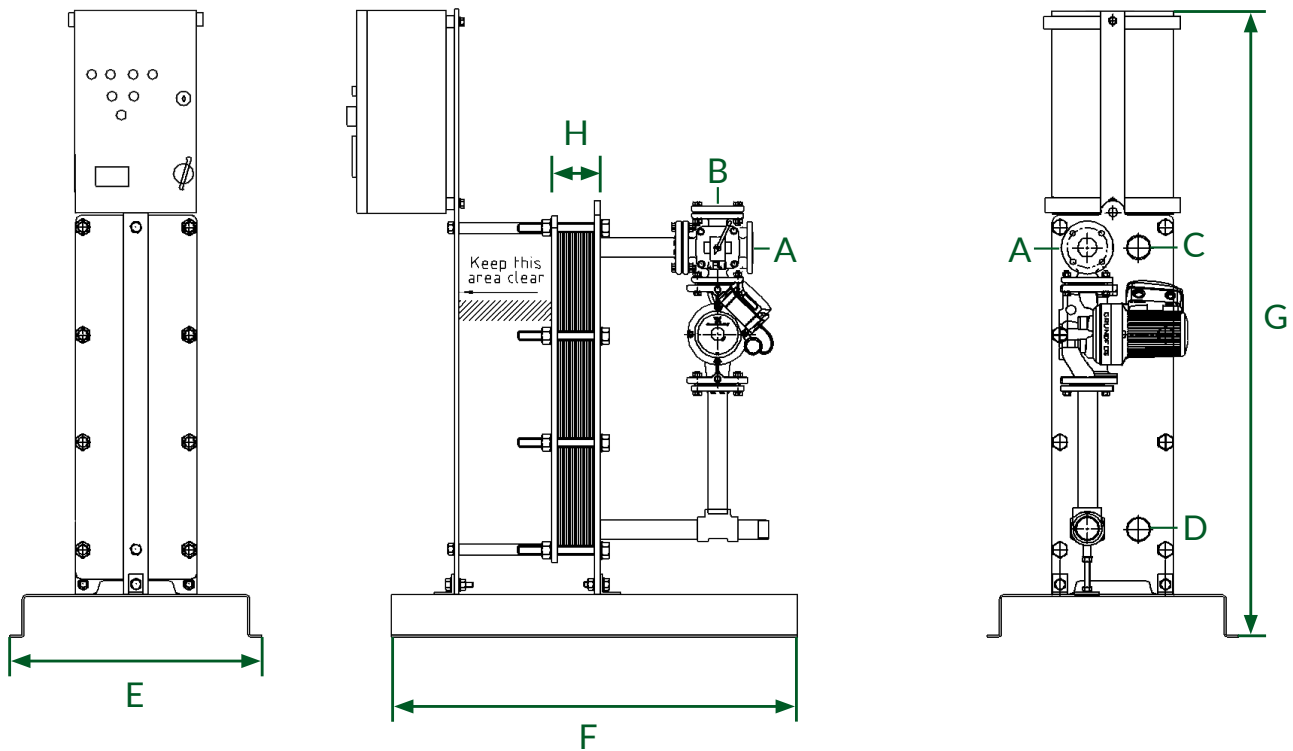
- Primary pumps with activation and changeover controls
- AISI 316 single wall stainless steel plate construction
- 10 bar working pressure for units up to 400 kW. 6 bar working pressure from 500 kW and above.
- EPDM clip-on gaskets
- 4 port modulating control valve with electric actuator
- Digital temperature controller
- Non-self-resetting overheat protection
- Removable insulation jacket
- Output demand signal to primary heat source

AVAILABLE OPTIONS

- Single (-S) or twin-head (-T) pump systems
- Alternative control panel orientations to suit installation layout

PRACTICAL, EFFICIENT & SUSTAINABLE
BUILDING SERVICES SOLUTIONS





Technical Specifications

Model PPN	PPN-100S PPN-100T	PPN-150S PPN-150T	PPN-200S PPN-200T	PPN-300S PPN-300T	PPN-400S PPN-400T	PPN-500S PPN-500T	PPN-600S PPN-600T
Heat Transfer	80°C 100	150	200	300	400	500	600
Duty (kW)	75°C -- 70°C 83	-- 127	-- 162	-- 242	260	315	379

Dimensions & Connections

A - From primary (inch)	1.25" BSPT F	1.25" BSPT F	1.25" BSPT F	1.25" BSPT F	1.50" PN6 FLANGED	1.50" PN6 FLANGED	1.50" PN6 FLANGED
B - To primary (inch)	1.25" BSPT F	1.25" BSPT F	1.25" BSPT F	1.25" BSPT F	1.50" PN6 FLANGED	1.50" PN6 FLANGED	1.50" PN6 FLANGED
C - Secondary In (mm)	1.25" BSPT M	1.25" BSPT M	1.25" BSPT M	1.25" BSPT M	2.00" BSPT M	2.00" BSPT M	2.00" BSPT M
D - Secondary Out (mm)	1.25" BSPT M	1.25" BSPT M	1.25" BSPT M	1.25" BSPT M	2.00" BSPT M	2.00" BSPT M	2.00" BSPT M
E - Base width (mm)	560	560	560	560	620	620	620
F - Base depth (mm)	1000	1000	1000	1000	1000	1000	1000
G - Total height (mm)	1530	1530	1530	1530	1541	1541	1541
H - Plate compression dimension* (mm)	Max. 47 Min. 46	70 68	81 78	112 108	-- --	80 77	86 83
Dry assembly mass (kg)	-S: 113 -T: 131	116 135	119 137	124 142	186 207	191 212	193 218

*The plate assembly is set by a compression dimension as opposed to a tightening torque value. The plates should seal upon compression to the "maximum" value. Plate assemblies should not be tightened beyond the minimum compression dimension.