

SSB 200-2500

Stainless Steel Storage Cylinders for DHW Applications

The Adveco range of stainless steel domestic hot water tanks includes models suitable for use as hot water buffers, single coil, or dual coil calorifiers as required for the job.

The SSB range serve as buffer vessels only, supplied with two blank flanges and no internal heat exchange coils. With top and bottom tank connections and the capacity to install an electric immersion heating element, the SSB can be used to expand the dump load capacity of a hot water installation in addition to providing a level of redundancy to a domestic hot water system.

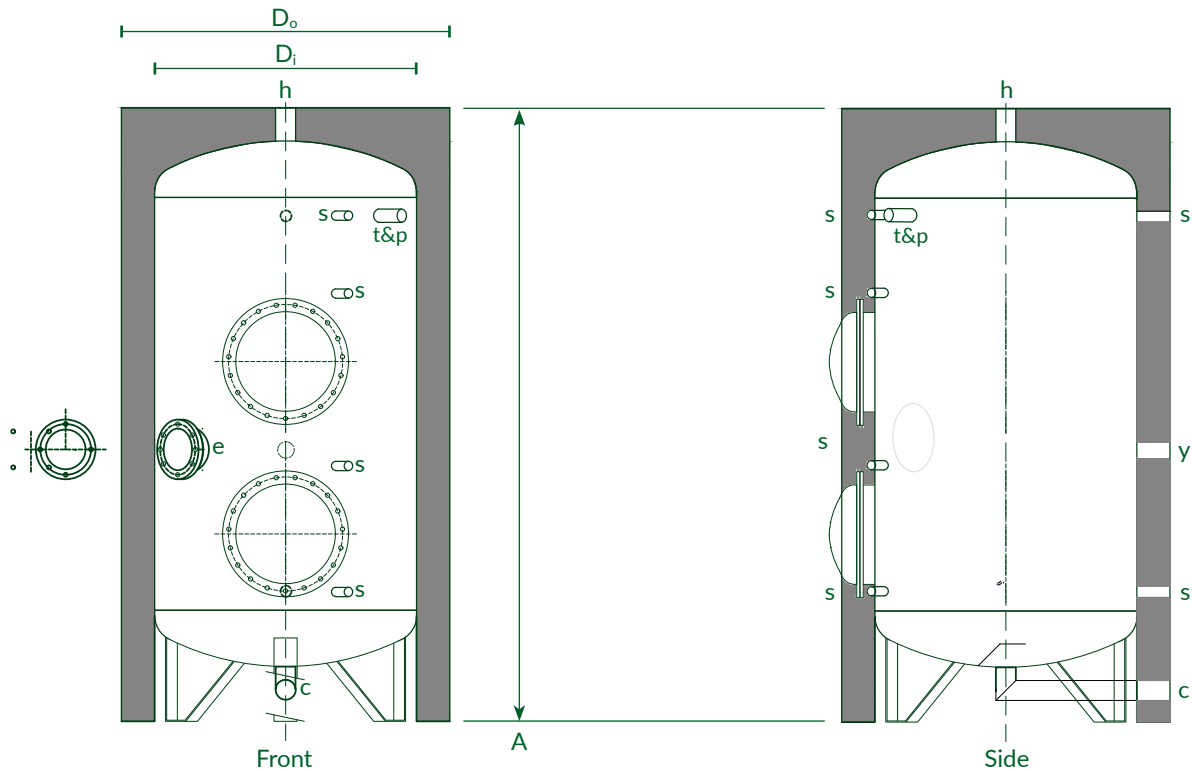
The complete range of tanks are WRAS certified, and are designed and manufactured to the requirements of the Pressure Equipment Directive (97/23/EC) and are tested to the procedure defined in BS EN 12897:2006.

FEATURES

- Available with 200 - 2500 litre capacities
- Produced from high quality stainless steel
- 100-125 mm removable insulation for improved energy efficiency
- Suitable for vented or unvented installation
- Immersion heaters available from 3 - 36 kW
- 6 bar / 85°C max. working pressure/temperature
- Hot water storage or electric water heater



CERTIFICATION MARK



Model	units	SSB 200	SSB 300	SSB 500	SSB 800	SSB 1000	SSB 1500	SSB 2000	SSB 2500
Volume	L	191	286	481	763	952	1426	2002	2535
D _o	mm	650	700	850	990	990	1250	1500	1650
D _i *	mm	450	500	650	790	790	1000	1250	1400
A	mm	1420	1700	1750	1810	2140	2200	2050	2150
c Cold Inlet	inch	1.25	1.50	1.50	2.00	2.00	2.00	2.00	2.50
h Hot Outlet	inch	1.25	1.50	1.50	2.00	2.00	2.00	2.00	2.50
y Secondary	inch	1.5	1.50	1.50	1.50	1.50	1.50	1.50	1.50
s Sensor	inch	0.75	0.75	0.75	0.75	0.75	0.75	0.75	0.75
t&p Temperature & Pressure Relief	inch	1.00	1.00	1.00	1.00	1.00	1.00	1.00	1.00
e Immersion Port	inch, mm	2.25"	2.25"	180	180	180	180	180	180
Standing losses	W	75	96	100	120	143	158	190	208
	kWh/24h	1.8	2.3	2.4	2.9	3.4	3.8	4.5	4.9
Energy efficiency class		C	C	C	C	C	C	C	C
Empty mass	kg	119	143	189	234	304	355	425	478

Ancillaries: All models

Control Thermostat: E0008/0-95C	Overheat Thermostat: E0011
Thermostat Pocket: E0009.2 (2x included with vessel)	Destratification Pump Kit: MB0001
Unvented Kits: Contact Advenco for details	Electric Immersion Heaters: Contact Advenco for details